



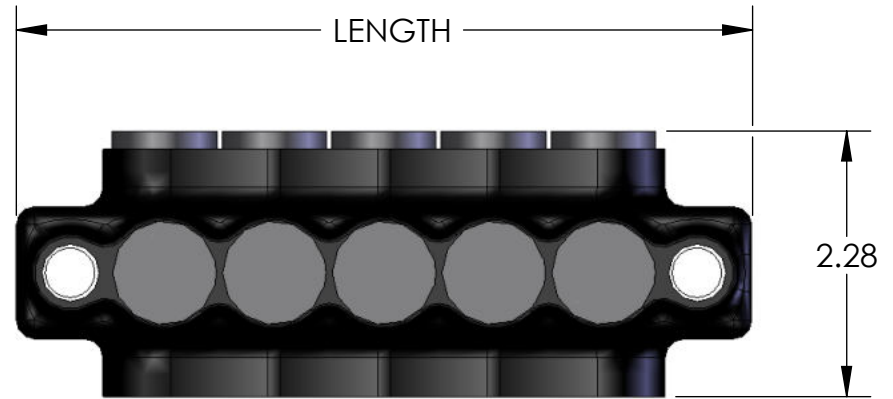
REMOVABLE CAP TO TIGHTEN SCREW (REPLACE WHEN COMPLETE)

REMOVABLE CAP FOR DUAL ENTRY (INSERT IN OTHER SIDE)

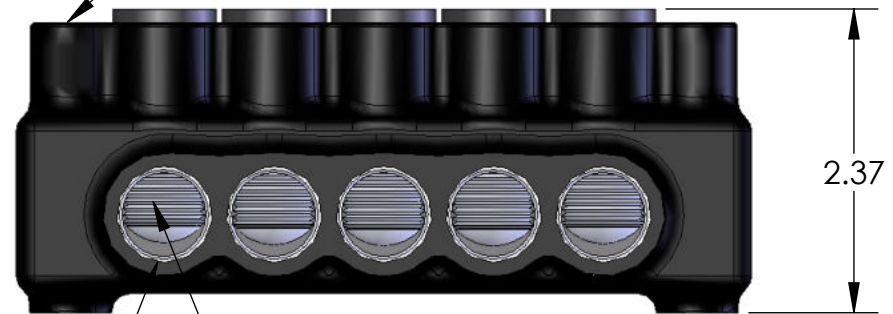
IPLMD250-5 SHOWN

PART NUMBER	NO. OF PORTS	LENGTH
IPLMD250-3	3	4.42
IPLMD250-4	4	5.28
IPLMD250-5	5	6.14
IPLMD250-6	6	7.01
IPLMD250-7	7	7.82
IPLMD250-8	8	8.73
IPLMD250-10	10	10.40
IPLMD250-12	12	12.13

WIRE ENTRY POINT
WIRE RANGE: 250MCM - #6AWG
PRE-FILLED W/ OXIDE INHIBITOR



INSULATED MOUNTING PORT ON EACH END FOR A 5/16 BOLT



CONTACT NSi FOR SALES @ 800.321.5847

NOTES:

- CONNECTOR MANUFACTURED FROM 6061-T6 ALUMINUM ALLOY.
- UL LISTED PER UL486A/B SPECIFICATIONS FOR 600V.
- DUAL RATED FOR 90°C COPPER AND/OR ALUMINUM CONDUCTOR.
- COLD TEMPERATURE RATED TO -45°C.
- HIGH DIELECTRIC STRENGTH INSULATION IS ABRASION, CHEMICAL AND UV RESISTANT.

		POLARIS SALES . CO . INC	
<small>PROPRIETARY AND CONFIDENTIAL</small>		<small>11625 PROSPEROUS DRIVE ODESSA, FL 33556</small>	
<small>THE INFORMATION CONTAINED IN THIS DRAWING IS THE SOLE PROPERTY OF POLARIS SALES CO. INC. ANY REPRODUCTION IN PART OR AS A WHOLE WITHOUT THE WRITTEN PERMISSION OF POLARIS SALES CO. INC. IS PROHIBITED.</small>		TITLE: INSULATED MOUNTED DUAL ENTRY 250 CONNECTOR	
<small>DRAWN BY</small> L. HILL	<small>NAME</small> L. HILL	<small>DATE</small> 11-24-09	DWG. NO. IPLMD250-
MATERIAL: N/A		SCALE: N/A	
			SHEET: 1 OF 1